

NEMABOX-LG-AL

Weatherproof Enclosure with Dual Fan Control



- Molded Fiberglass Reinforced Polyester (FRP) industrial Enclosure
- NEMA Type 3R, 3RX / IP24 rated
- Custom housing for various IC Realtime Recorders and Cameras
- Fully gasketed raised Vented lid with removable filters & integral mounting flange
- Stainless steel quick release latches with padlock hasps
- Aluminum mounting plate with surge protected duplex 120 VAC outlets
- Solid State Fan Controller

System Overview

The NEMA ICE BOX is fully customizable housing used with various IC Realtime recorders and cameras for the most demanding outdoor applications. Constructed from molded fiberglass reinforced polyester, the enclosure is a rugged weatherproof design that is well suited for wide temperature extremes or installations subjected to hard rain or heat. Inside the box is a large aluminum mounting plate with four 120 VAC outlets to power internal devices as well as the dual Solid State Controlled Cooling Fans.

Combined with your choice of IC Realtime cameras and recorders, the NEMA ICE BOX is a fully weatherproof and vandal proof self-contained device with all required components (cooler, network equipment, power supply, UPS, and LCD monitor).

Functions

Mounting Plate

Included is an aluminum plate, featuring a large unobstructed area to mount equipment. Standard are four 120 VAC outlets to power internal equipment. A convenient terminal strip provides a point to connect the AC line. The mounting plate also has provisions to mount Recorders and/or Network equipment.

Dual Fan Solid State Controller

The NEMABOX-LG-AL features two independently controlled 120 VAC cooling fans installed. The fans are controlled by HyperLink's exclusive dual fan Solid State Controller. The dual fan system offers redundancy and also has removable filters for easy cleaning. The Solid State Controller features improved temperature set-point accuracy and can be factory modified for other temperature set-points. The fans are controlled by integral Solid State AC relays that feature Zero Cross Detection for EMI reduction. The controller is discreetly mounted underneath the plate.

Lightning Protection

Surge protection is provided as a standard feature on the internal AC outlets. In addition, the unit can accept up to two optional bulkhead-mount N-Type lightning protectors to protect the coaxial cable runs.

Technical Specification

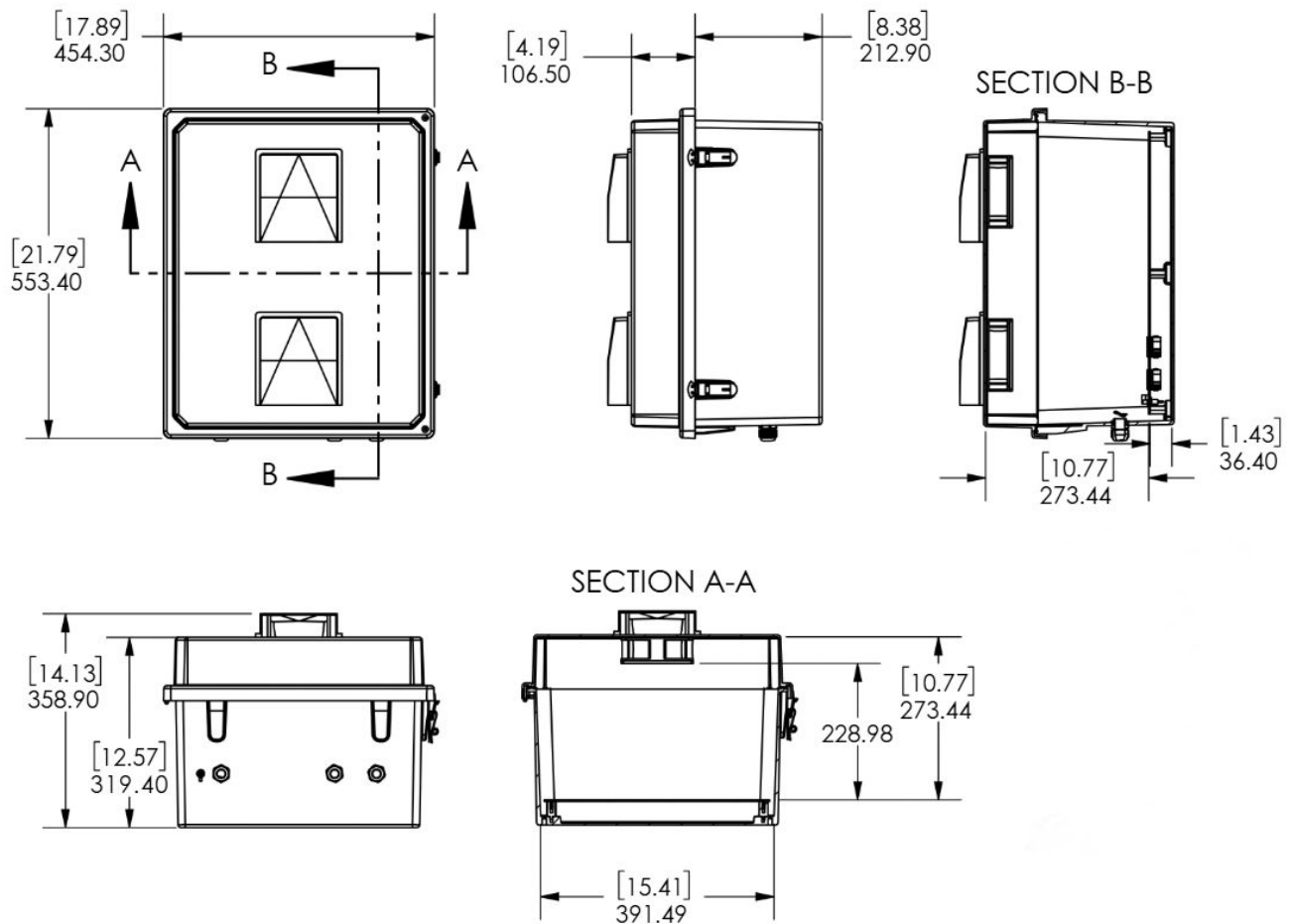
System Overview

Material	Fiberglass Reinforced Polyester
Color	Gray
Voltage	120 VAC
Max Load	15A @ 120VAC
Mounting Plate Material	0.08 in. (2.0mm) Thick Aluminum
Terminal Block Wire Range	12-18 AWG
Terminal Block Wire Strip Length	6-7mm
Mounting Plate Dimensions	18.7 x 14.8 inches (47.5 x 37.8 cm)
Outside Dimensions	21.8 x 17.9 x 14.3 inches (55.3 x 45.4 x 36.3 cm)
Inside Dimensions	18.7 x 14.7 x 9.5 inches (47.5 x 37.4 x 24.1 cm)
Weight	20.6 lbs (9.3 kg)
Cable Feed	1/2" Cable Conduit Connector
Rating	NEMA Type 3R, 3RX/ IP24
Flame Rating	UL 94-5V

Temperature Controller Specification

Cooling Fan Turn-On/Off Temperature	On: 100°F (38°C) ±6°F Off: 79°F (26°C) ±9°F
-------------------------------------	--

Dimensions (mm/in)



Applications

